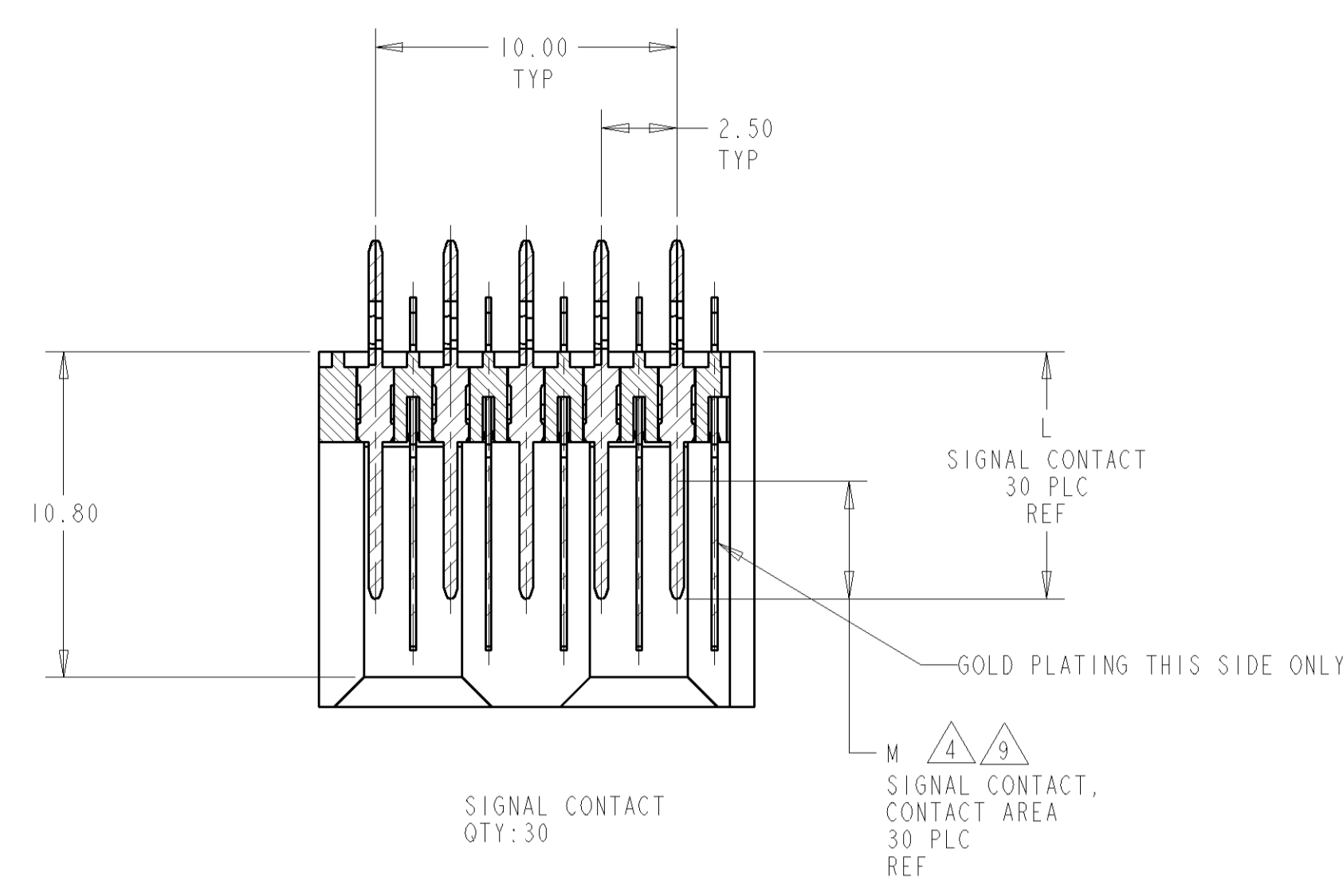
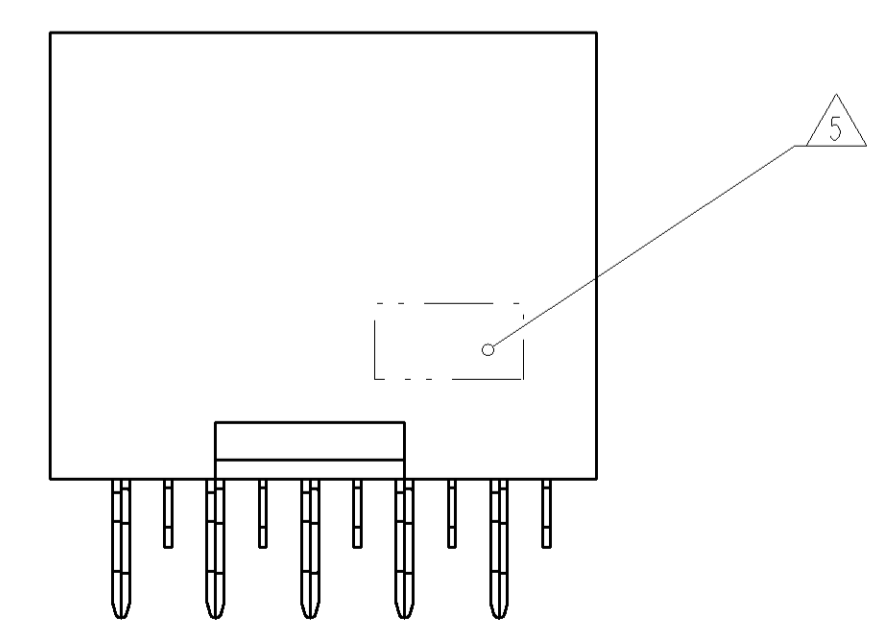
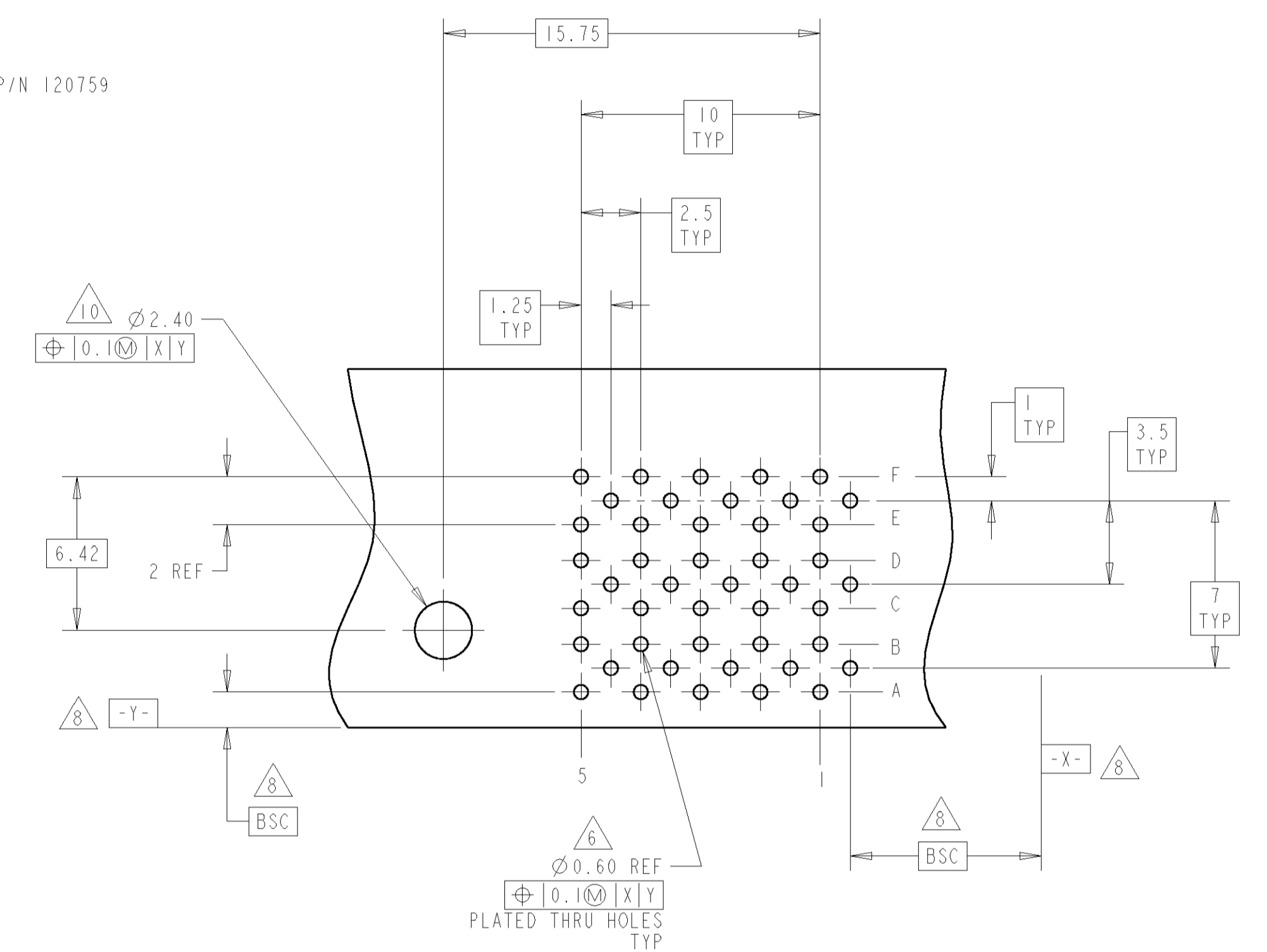
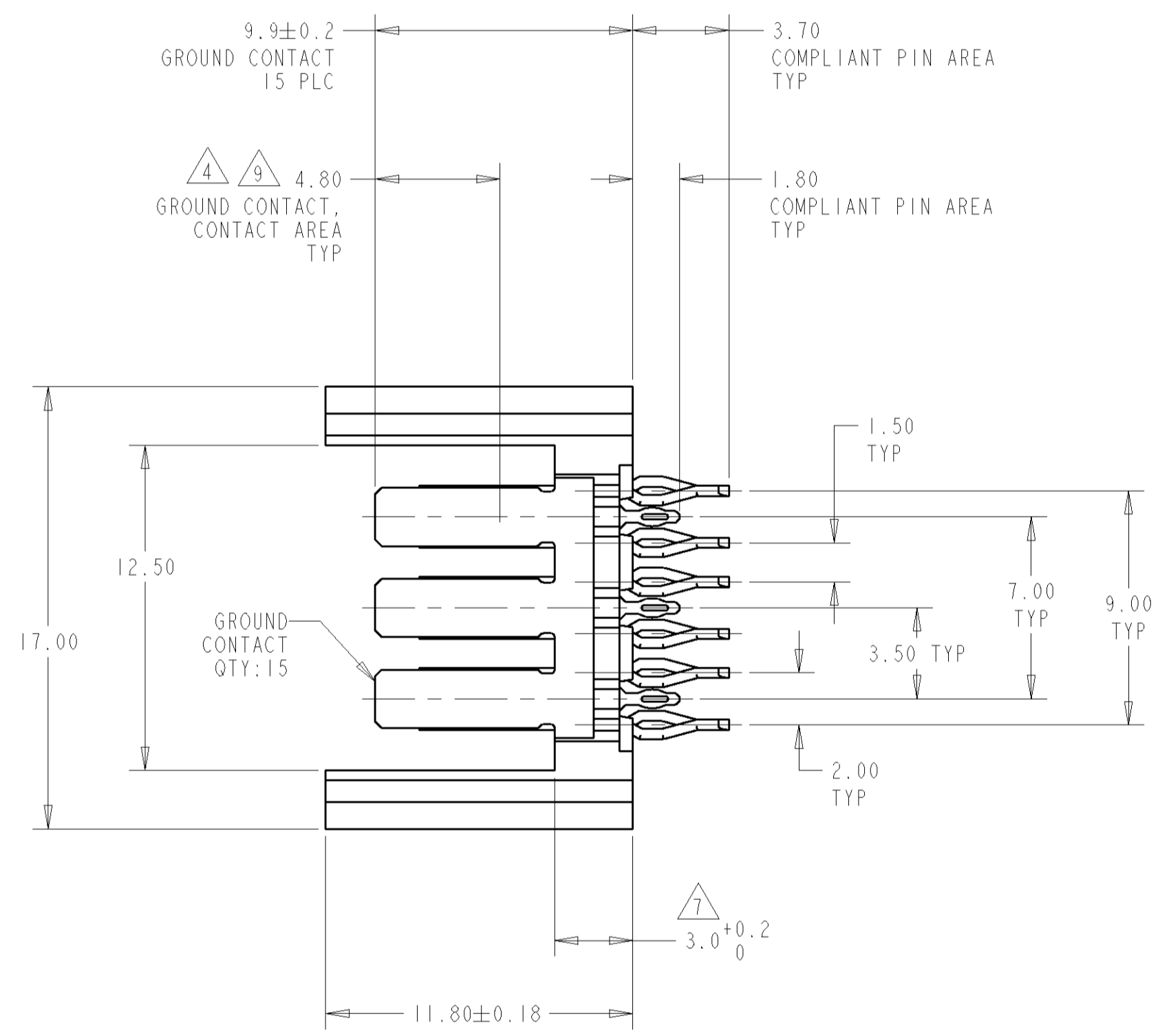
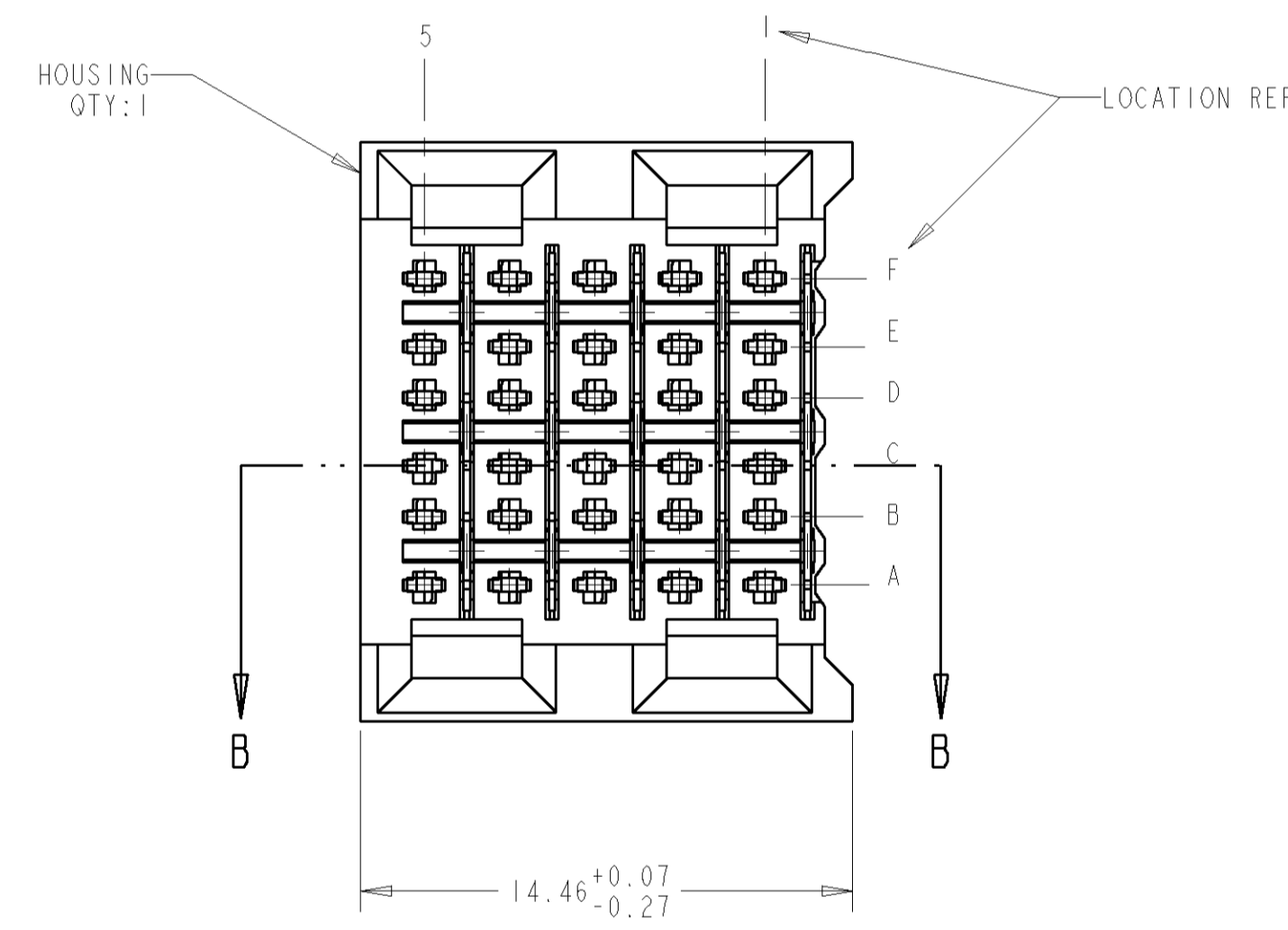


REVISONS		DATE	BY	APPD
AD	47	18JAN2007	JRP	RAP



- 2 PHOSPHOR BRONZE
- 3 LCP, UL94V-0
- 4 0.76μm MIN GOLD OVER 1.27μm MIN NICKEL UNDERPLATE OR GOLD FLASH OVER 0.76μm MIN PALLADIUM-NICKEL OVER 1.27μm MIN NICKEL UNDERPLATE ON CONTACT AREA. 0.76μm MIN TIN LEAD OVER 1.27μm MIN NICKEL ON COMPLIANT PIN AREA
- 5 CONNECTOR MARKED WITH PART NUMBER AND DATE CODE
- 6 REFERENCE APPLICATION SPEC 114-13020 FOR RECOMMENDED PLATED THRU HOLE DIAMETER AND PLATING THICKNESSES
- 7 APPLICATION SEATING HEIGHT TO PRINTED CIRCUIT BOARD
- 8 DATUMS AND BASIC DIMENSIONS ESTABLISHED BY CUSTOMER
- 9 CONTACT AREA LUBRICATED WITH BELLCORE APPROVED LUBRICANT TECHNICAL REFERENCE: GR-1217-CORE, ISSUE 1, NOVEMBER 1995
- 10 HOLE DIAMETER SHOULD BE 3.10 WHEN USING FEED THROUGH GUIDE PIN P/N 120759 CLEARANCE FOR M3x0.5 THREAD



5.30	9.7	120677-2
3.90	8.2	120677-1
M	L	PART NUMBER

DIMENSIONS: mm 		TOLERANCES UNLESS OTHERWISE SPECIFIED: 0 PLC ± 1 PLC ±0.13 2 PLC ±0.13 3 PLC ±0.05 4 PLC ± ANGLES ± FINISH -		DWN H MOLL 5-20-99 CHK H ANDREWS 5-20-99 APVD H ANDREWS 5-20-99 PRODUCT SPEC - APPLICATION SPEC - WEIGHT - CUSTOMER DRAWING		<b>tyco</b> Tyco Electronics <b>Esconics</b> Harrisburg, PA 17105-3608 NAME <b>HEADER ASSEMBLY, 30 POSITION, RIGHT HAND, 6 ROW, Z-PACK HS3</b> SIZE CAGE CODE DRAWING NO RESTRICTED TO <b>A 00779 C=120677</b>	
MATERIAL HOUSING: 3 CONTACTS: 2 SIGNAL CONTACT: 4		SCALE 5:1 SHEET 1 OF 1 REV HI					